

GMP3L550IR

VARIFOCAL LENSES

1/2.7" 3MP 5-50mm IR Corrective Auto Iris Varifocal Lens



Key Features

- 2MP 1/2.7" 5-50mm F1.4 Lens
- IR corrected auto iris DC varifocal lens

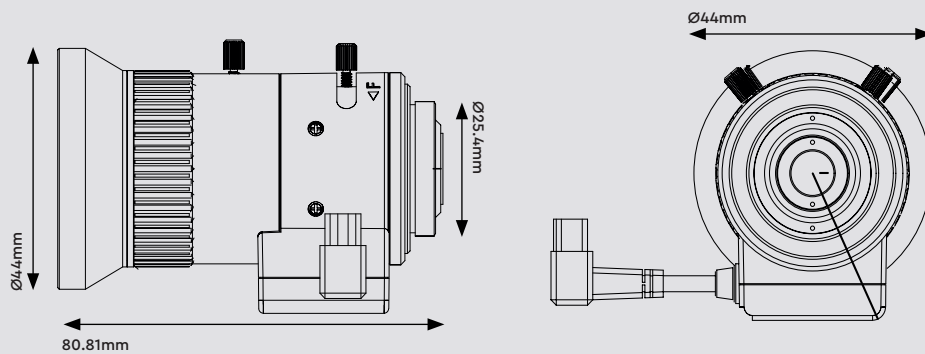
The Genie **GMP3L550IR** is a 3MP 5-50mm IR corrective auto iris varifocal lens.



Specification

Image Format	1/27"
Focal Length	5-50mm
F No.	F1.4
Back Focal Length	12.5±0.1 mm
Focus Range	0.5m~∞
Field of View	D: 63°-8.7°, H: 53°-7.4°, V: 29°-4.3°
Resolution	3MP
Sensor Format	1/27"
Zoom	Manual
Focus	Manual
Iris	Auto
Coating Wavelength	400nm~850nm
Mount	CS
Operating Conditions	Temperature : -10°C ~ 50°C, Humidity : 30% - 70%
Dimensions	44 × 80.81 mm

Dimensions



Accessories



FILTERKIT4
Filter Set Up Kit